

## TECHNICAL DATA SHEET

### Description

Type	Pressure & Vacuum relief valve
Connections	Flanges EN PN-10 or ANSI 150# RF
Rating	PN-10
Material	Al / carbon steel / Stainless steel
Temperature range	-10 to +260°C

### Requirements

Calculation	Manufacturer 1100
Design	EN-12516-1, EN-1092-1 DIN 259 & ANSI B2.1
Materials	ASTM / EN
Inspection	EN-4126-1 / 7

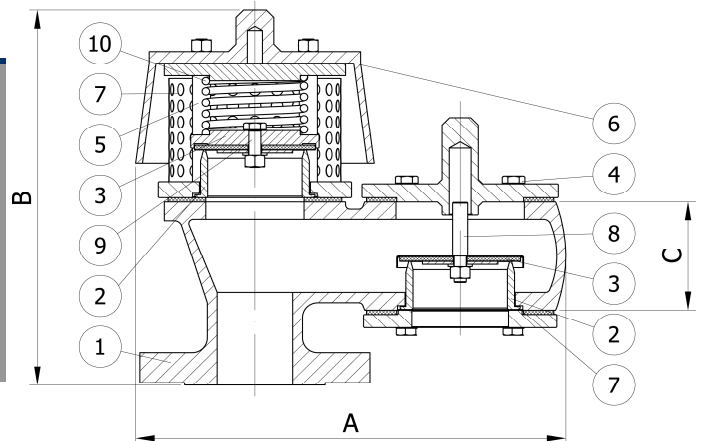
### Construction and materials

Item	Description	Material Aluminium	Material Carbon steel	Material Stainless steel
1	Body	Aluminium alloy LM 6	ASTM A 216 Gr WCB	ASTM A 351 Gr CF 8
2	Seat	S.S. AISI 304	S.S. AISI 304	S.S. AISI 316
3	Disc	S.S. AISI 304	S.S. AISI 304	S.S. AISI 316
4	Bolts nuts	S.S. AISI 304	S.S. AISI 304	S.S. AISI 304
5	Studs	S.S. AISI 304	S.S. AISI 304	S.S. AISI 304
6	Weather hood	Aluminium	Aluminium	Aluminium
7	Wire mesh	Perforated sheet	Perforated sheet	Perforated sheet
8	Vacuum stem	S.S. AISI 304	S.S. AISI 304	S.S. AISI 304
9	Pressure stem	S.S. AISI 304	S.S. AISI 304	S.S. AISI 304
10	Spring	Carbon steel	Carbon steel	S.S. AISI 302

○ Recommended spare parts

### Dimensions

Flanges		A	B	C	Weight
EN	ANSI	(mm)	(mm)	(mm)	(Kg)
50	2"	290	270	100	8
80	3"	415	300	110	12
100	4"	455	320	115	25
150	6"	600	340	120	50
200	8"	715	460	180	60
250	10"	420	500	200	80



### Technical information

Applications	Air
Min. Vacuum pressure	-15 mbar
Max. Vacuum pressure	-750 mbar
Min. Set pressure	15 mbar
Max. Set pressure	495 mbar
Tolerance Set pressure	± 3%

