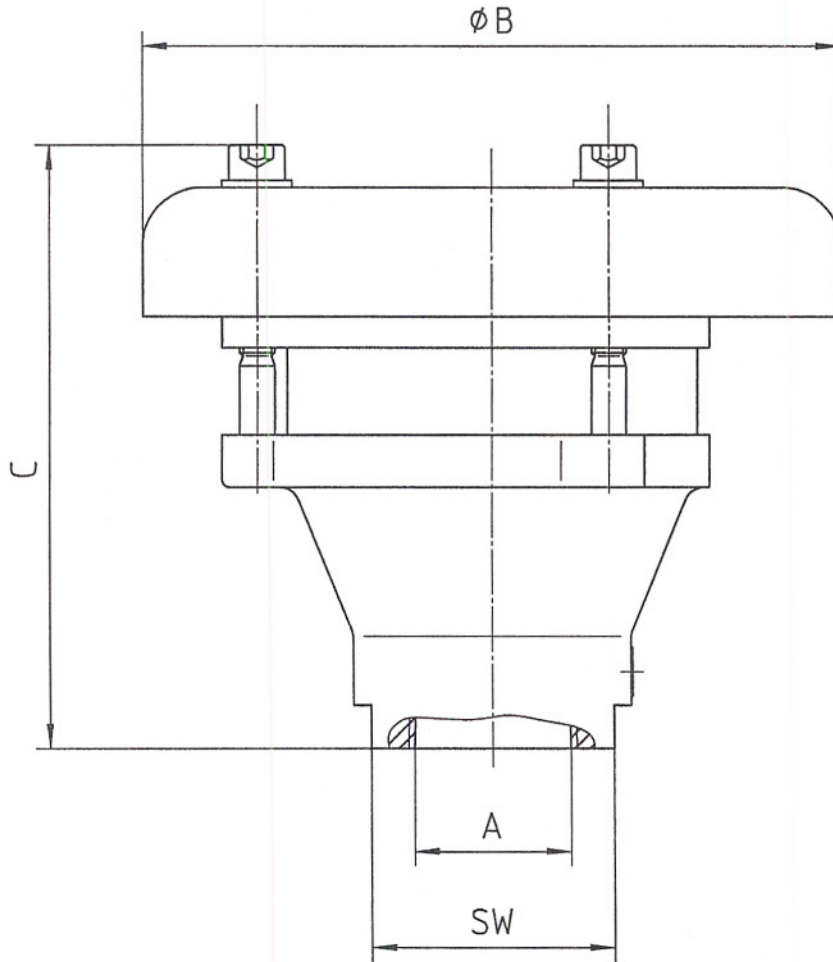


# Flame Arrester 934-B-E - thread Dimension Sheet



thread type	connection A	dimensions mm			SW
		B	C		
			N=1	N=2	
Rp	1"	150	110	125	50
	1 1/4"				
Rc	1 1/2"	200	160	175	65
BSP	2"				
NPTF	2 1/2"	250	180	190	90
	3"				95

N - number of metal foil elements

modifications reserved