

Description

Type	Safety and Relief valve
Connections	Clamp / BSP
Rating	PN-10
Material	Stainless steel 316 L SS
Temperature range	-10 to +350°C

Requirements

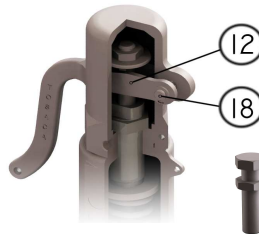
Calculation	EN-4126-1 / 7 ISO-2852
Design	EN-12516-1, EN-4126-1 / 7 DIN 259 & ANSI B2.1
Materials	EN
Inspection	EN-4126-1 / 7

Construction and materials

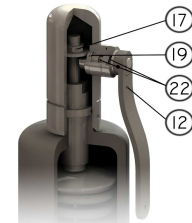
Item	Description	Material
1	Nozzle	A351 CF-3M
2	Body	A351 CF-3M
3	Bonnet	-
4	Open Cap	A351 CF-8
4	Closed Cap	A351 CF-8
5	Disc	AISI-316L
6	Guide	AISI-316L
7	Push Road	AISI-316L
8	Spring Button	AISI-303
9	Ajusting Screw	AISI-303
10	Tensor Nut	AISI-303
11	Spring	AISI-302
12	Lever	A351 CF-8
17	Release nut	AISI-316L
18	Lever axis	AISI-303
19	Packing lever axis	AISI-303
20	Gasket	PTFE
21	Gasket	PTFE
22	Gasket	Viton
27		
28	O' ring disc	Viton / PTFE

○ Recommended spare parts

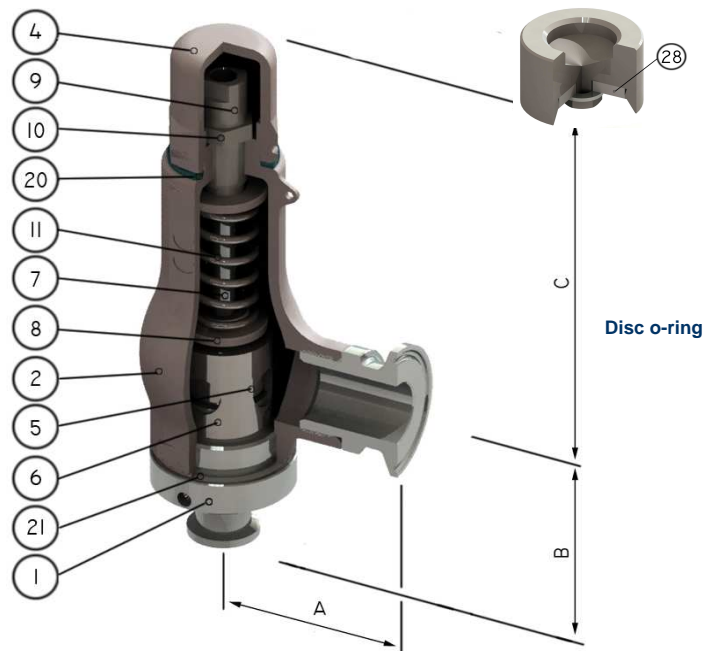
Palanca manual
Lifting device



Palanca estanca
Sealed packing lever

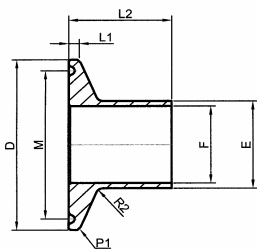


T. Prueba
Test gag



Technical information

Applications	Steam, gases, vapours and liquids
Min. Set pressure	0,2 barg
Overpressure	10%
Blowdown	Gases 10%, liquids 20%
Tolerance Set pressure	± 3%
Discharge coefficients	k= 0,55 for gases k= 0,48 for liquids



HELYON

Dimensions

Inlet	Outlet	Orifice	Area (mm ²)	A (mm)	B (mm)	C (mm)	Weight (kg)
15	25	9,5	71	66	68	136	2,4
20	25	15	176,6	66	68	136	2,4
25	25	20	314	66	70	138	2,8
40	40	32	804	105	95	305	8,2
15	1"	10	71	45	68	136	2
20	1"	15	176,6	45	68	136	2
25	1"	20	314	45	70	138	2,2
40	2"	32	804	65	95	305	8,2

Clamp ISO 2852

	D	M	E	L1	L2
15	25	19	12,7	2,85	12,7
20	25	19	19	2,85	12,7
25	50,5	43,5	25,6	2,85	12,7
40	50,5	43,5	38,6	2,85	21,5

