

Description	
Type	Safety and Relief valve
Connections	Flanged EN 1092
Rating	PN-16 / 25 / 40 / 63 / 100
Material	Nodular Iron, Carbon steel Stainless steel
Temperature range	-28°C to +350°C

Requirements	
Calculation	EN-4126-1 / 7
Design / Size	EN-12516-1, EN-4126-1 / 7
Materials	EN / ASTM
Inspection	EN-4126-1 / 7 API 527 MSS-SP-55
Tolerances	EN-4126-1 and ASME UG-126

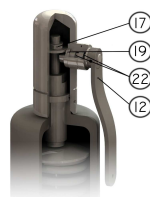
Construction and materials		Carbon steel						Stainless steel		
		PN-16/25		PN-40		PN-63/100	PN-16/25/40		PN-63/100	
		DN-15 to DN-50	DN-65 to DN-200	DN-15 to DN-50	DN-65 to DN-200	DN-15 to DN-50	DN-15 to DN-50	DN-65 to DN-200	DN-15 to DN-50	
Item	Description	PN-16/25	PN-16/25	PN-40	PN-40	PN-63/100	PN-16/40	PN-16/40	PN-63/100	
1	Nozzle	C.S. + 308 L SS	C.S. + 308 L SS	C.S. + 308 L SS	C.S. + 308 L SS	316L + Stellite	316 L SS	316 L SS	316L + Stellite	
2	Body	A106 Gr.B	EN-JS1030	A106 Gr.B	C.S. 1.0619	A106 Gr.B	316 L SS	14 408	316 L SS	
3	Bonnet	A106 Gr.B	EN-JS1030	A106 Gr.B	C.S. 1.0619	A106 Gr.B	316 L SS	14 408	316 L SS	
4	Open Cap	A351 CF-8	A351 CF-8	A351 CF-8	A351 CF-8	A351 CF8	A351 CF-8	A351 CF-8	A351 CF-8	
4	Closed Cap	A351 CF-8	A351 CF-8	A351 CF-8	A351 CF-8	A351 CF8	A351 CF-8	A351 CF-8	A351 CF-8	
5	Disc	420 SS	C.S. + 308 L SS	420 SS	C.S. + 308 L SS	316L SS	316 L SS	316 L SS	316 L SS	
6	Guide	C. Steel zn.	C.S. + 304 SS	C. Steel zn.	C.S. + 304 SS	C. Steel zn.	316 L SS	316 L SS	316 L SS	
7	Push Road	420 SS	420 SS	420 SS	420 SS	420 SS	316 L SS	316 L SS	316 L SS	
8	Spring Button	C. Steel zn.	C. Steel zn.	C. Steel zn.	C. Steel zn.	C. Steel zn.	303 SS	304 SS	303 SS	
9	Ajusting Screw	Brass	AISI-420	303 SS	AISI-420	303 SS	303 SS	431 SS	303 SS	
10	Lock Nut	Brass	C. Steel zn.	303 SS	C. Steel zn.	C. Steel zn.	303 SS	304 SS	303 SS	
11	Spring	Carbon steel	Carbon Steel	Carbon steel	Carbon Steel	Carbon steel	302 SS	302 SS	302 SS	
12	Lever	A 351 CF 8	A 351 CF 8	A 351 CF 8	A 351 CF 8	A 351 CF 8	A351 CF-8	A351 CF-8	A351 CF-8	
17	Release nut	304 SS	304 SS	Carbon steel	304 SS	Carbon steel	316 SS	316 SS	316 SS	
18	Lever axis	303 SS	303 SS	AISI-303	303 SS	AISI-303	303 SS	303 SS	303 SS	
19	Packing lever axis	303 SS	303 SS	AISI-303	303 SS	AISI-303	303 SS	303 SS	303 SS	
20	Gasket cap	NBR+MF	NBR+MF	NBR+MF	NBR+MF	NBR+MF	PTFE	PTFE	PTFE	
21	Gasket bonnet	NBR+MF	NBR+MF	NBR+MF	NBR+MF	NBR+MF	PTFE	PTFE	PTFE	
22	Gasket pack. lever	Viton	Viton	Viton	Viton	Viton	Viton	Viton	Viton	
27	Bellow	316 TI SS	316 TI SS	316 TI SS	316 TI SS	316 TI SS	316 TI SS	316 TI SS	316 TI SS	
28	O' ring disc	Viton / PTFE	Viton / PTFE	Viton / PTFE	Viton / PTFE	Viton / PTFE	Viton / PTFE	Viton / PTFE	Viton / PTFE	

○ Recommended spare parts

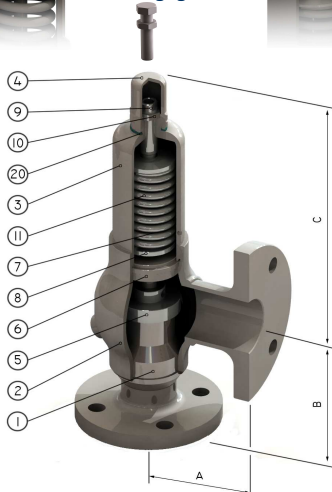
Palanca manual  
Lifting device



Palanca estanca  
Sealed packing lever



T. Prueba  
Test gag



Cpo. intermedio abierto  
Open bonnet



Obturator o-ring  
Disc o-ring



**Technical information**

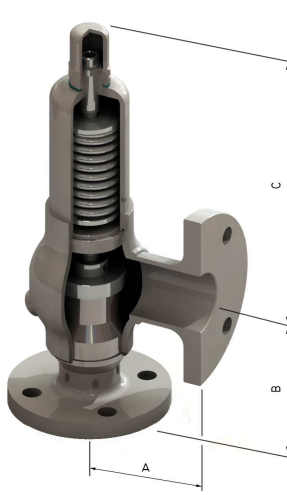
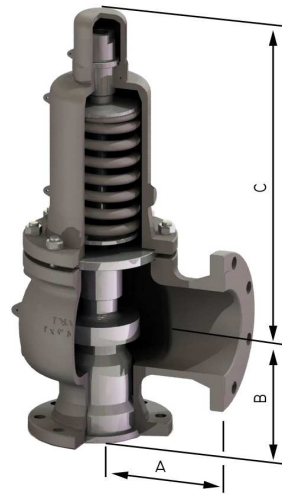
Applications	Steam, gases, vapours and liquids
Min. Set pressure	0,2 barg
Seat	metal-metal, PTFE, Viton, Nozzle SS+Stellite
Overpressure	10% for steam, gas and vapour 20% for fire exposure 25% for liquid on thermal relief
Blowdown	7%
Tolerance Set pressure	± 3%
Discharge coefficients	k= 0,64 for gases k= 0,5 for liquids



94/9/EC ATEX



**Dimensions**

Design	DN	TOSACA Model	Valve Size Inlet by Outlet	EN 1092 Flanges		Orif. (mm)	Area (mm <sup>2</sup> )	Face Dimension (mm)			Weight (kg) W
				Inlet	Outlet			A	B	C	
	<b>15</b>	1400 PN 16	15 x 25	16	16	16	201	85	95	253	7
		1400 PN 25	15 x 25	25	16	16	201	85	95	253	7
		1400 PN 40	15 x 25	40	16	16	201	85	95	253	7
		1400 PN 63	15 x 25	63	16	13	133	85	95	253	7
		1400 PN100	15 x 25	100	16	13	133	85	95	253	7
	<b>20</b>	1400 PN 16	20 x 32	16	16	18	254	85	95	253	7,5
		1400 PN 25	20 x 32	25	16	18	254	85	95	253	7,5
		1400 PN 40	20 x 32	40	16	18	254	85	95	253	7,5
		1400 PN 63	20 x 32	63	16	13	133	100	105	253	7,5
		1400 PN100	20 x 32	100	16	13	133	100	105	253	7,5
	<b>25</b>	1400 PN 16	25 x 40	16	16	23,8	445	100	105	275	8
		1400 PN 25	25 x 40	25	16	23,8	445	100	105	275	8
		1400 PN 40	25 x 40	40	16	23,8	445	100	105	275	8
		1400 PN 63	25 x 50	63	16	20	314	110	100	275	8
		1400 PN100	25 x 50	100	16	16	201	110	100	275	8
	<b>32</b>	1400 PN 16	32 x 50	16	16	29,5	683	110	115	325	11,5
		1400 PN 25	32 x 50	25	16	29,5	683	110	115	325	11,5
		1400 PN 40	32 x 50	40	16	29,5	683	110	115	325	11,5
		1400 PN 63	32 x 50	63	16	23,8	445	110	115	325	11,5
		1400 PN100	32 x 50	100	16	20	314	110	115	325	11,5
<b>40</b>	1400 PN 16	40 x 65	16	16	36	1018	115	140	325	12,5	
	1400 PN 25	40 x 65	25	16	36	1018	115	140	325	12,5	
	1400 PN 40	40 x 65	40	16	36	1018	115	140	325	12,5	
	1400 PN 63	40 x 65	63	16	26	531	115	140	325	12,5	
	1400 PN100	40 x 65	100	16	23,8	445	115	140	325	12,5	
<b>50</b>	1400 PN 16	50 x 80	16	16	46	1662	120	150	400	14	
	1400 PN 25	50 x 80	25	16	46	1662	120	150	400	14	
	1400 PN 40	50 x 80	40	16	46	1662	120	150	400	14	
	1400 PN 63	50 x 80	63	16	32	804	120	150	400	14	
	1400 PN100	50 x 80	100	16	32	804	120	150	400	14	
	<b>65</b>	1400 PN 16	65 x100	16	16	59,5	2781	140	170	415	27
		1400 PN 25	65 x100	25	16	59,5	2781	140	170	415	27
		1400 PN 40	65 x100	40	16	59,5	2781	140	170	415	27
		1400 PN 63	65 x100	63	16	48	1810	140	170	415	27
		1400 PN100	65 x100	100	16	39	1195	140	170	415	27
	<b>80</b>	1400 PN 16	80 x 125	16	16	72	4072	160	195	625	58
		1400 PN 25	80 x 125	25	16	72	4072	160	195	625	58
		1400 PN 40	80 x 125	40	16	72	4072	160	195	625	58
	<b>100</b>	1400 PN 16	100 x 150	16	16	90	6362	180	220	663	84
		1400 PN 25	100 x 150	25	16	90	6362	180	220	663	84
		1400 PN 40	100 x 150	40	16	90	6362	180	220	663	84
	<b>125</b>	1400 PN 16	125 x 200	16	16	105	8659	200	250	760	140
		1400 PN 25	125 x 200	25	16	105	8659	200	250	760	140
		1400 PN 40	125 x 200	40	16	105	8659	200	250	760	140
	<b>150</b>	1400 PN 16	150 x 200	16	16	125	12272	242	240	760	150
		1400 PN 25	150 x 200	25	16	125	12272	242	240	760	150
		1400 PN 40	150 x 200	40	16	125	12272	242	240	760	150
	<b>200</b>	1400 PN 16	200 x 300	16	16	153	18385	300	290	795	200