

Description

Type Safety and Relief valve
 Conections Flanged ASME/ANSI B16.5
 Rating 150#/300# 600#/900#/1500# RF
 Material Carbon steel A 216 WCB
 Stainless steel A 351 CF3M
 Special constructions
 Temperature range -28°C to +400°C
 Stainless steel -96°C to +400°C

Requirements

Calculation API RP 520
 Design / Size API STD 526, ASME Section VIII
 Materials EN / ASTM / ASME
 Inspection EN-4126-1 / 7 API STD 527 MSS-SP-55
 Tolerances EN-4126-1 and ASME UG-126

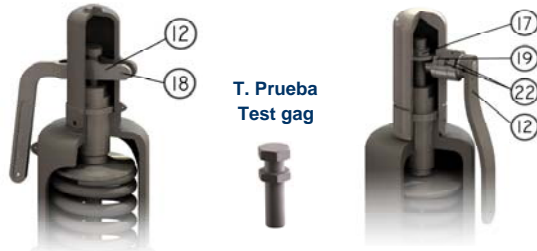
Construction and materials

Item	Description	Material	
		Carbon Steel	Stainless steel
1	Nozzle	AISI-304	AISI-316L
2	Body	A216 WCB	A351 CF-3M
3	Bonnet	A216 WCB	A351 CF-3M
4	Open Cap	A351 CF 8	A351 CF 8
4	Closed Cap	A351 CF 8	A351 CF 8
5	Disc	AISI-316L	AISI-316L
6	Guide	AISI-316L	AISI-316L
7	Push Road	AISI-316L	AISI-316L
8	Spring Button	C. Steel zn.	AISI-304
9	Ajusting Screw	AISI-420	AISI-303
10	Tensor Nut	C. Steel zn.	AISI-303
11	Spring	Carbon Steel	AISI-302
12	Lever	A351 CF 8	A351 CF 8
17	Release nut	AISI-316L	AISI-316L
18	Lever axis	AISI-303	AISI-303
19	Packing lever axis	AISI-303	AISI-303
20	Gasket	NBR+MF	NBR
21	Gasket	NBR+MF	NBR
22	Gasket	Viton	Viton
27	Bellow	AISI-316 TI	AISI-316 TI
28	O' ring disc	Viton / PTFE	Viton / PTFE
24	Screw-nut	Carbon Steel	AISI-316
25	Flanged	A216 WCB	A351 CF-3M
26	Flanged 150#	A216 WCB	A351 CF-3M

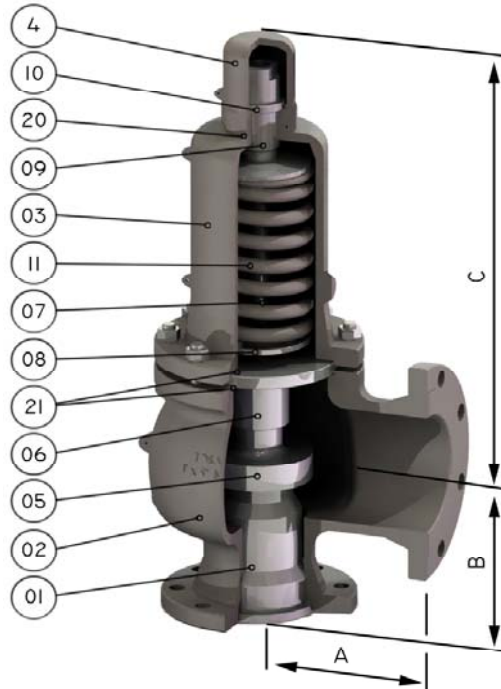
○ Recommended spare parts

Palanca manual
Lifting device

Palanca estanca
Sealed packing lever



T. Prueba
Test gag



Cpo. intermedio abierto
Open bonnet



Fuelle
Bellows



Obturador o-ring
Disc o-ring




Technical information

Applications Steam, gases, vapours and liquids
 Min. Set pressure 0,2 barg
 Seat metal-metal, PTFE, Viton, Nozzle SS+Stellite (600#, 900#&1500#)
 Overpressure 10% for steam, gas and vapour
 20% for fire exposure
 25% for liquid on thermal relief
 Blowdown 7%
 Tolerance Set pressure ± 3%
 Discharge coefficients k= 0,94 for gases k= 0,6 for liquids



94/9/EC ATEX

Dimensions

Design	Orif. Area (mm ²)	1415 150# RF				1415 300# RF				1415 600# RF				1415 900# RF				1415 1500# RF			
		Valve Size ANSI rating	Dimension (mm)		Weight (kg)	Valve Size ANSI rating	Dimension (mm)		Weight (kg)	Valve Size ANSI rating	Dimension (mm)		Weight (kg)	Valve Size ANSI rating	Dimension (mm)		Weight (kg)	Valve Size ANSI rating	Dimension (mm)		Weight (kg)
	D / E 71/133	1/2" D/E 1"	75	255	9	1/2" D/E 1"	75	255	9,3	1/2" D/E 1"	75	255	9,5								
		150# /150#	95			300# /150#	95			600# / 150#	105										
		3/4" D/E 1"	75	255	9	3/4" D/E 1"	75	255	9,3	3/4" D/E 1"	75	255	9,5								
		150# /150#	95			300# /150#	95			600# / 150#	105										
	F 201	1" D/E 1"	75	255	9	1" D/E 1"	75	255	9,3	1" D/E 1"	75	255	9,5								
		150# /150#	95			300# /150#	95			600# / 150#	105										
	G 346	1" D/E 2"	114	305	10,2	1" D/E 2"	114	305	10,5	1" D/E 2"	114	305	11	1 1/2" D/E 2"	140	335	19	1 1/2" D/E 2"	140	335	19
		150# /150#	105			300# /150#	105			600# / 150#	105			900# / 300#	105			1500# / 300#	105		
	H 531	1 1/2" F 2"	121	315	14	1 1/2" F 2"	121	315	15	1 1/2" F 2"	152	315	17	1 1/2" F 3"	165	315	22	1 1/2" F 3"	165	315	22
		150# /150#	124			300# /150#	124			600# / 150#	124			900# / 300#	124			1500# / 300#	124		
	J 830	1 1/2" G 3"	121	400	15	1 1/2" G 3"	121	400	16	1 1/2" G 3"	152	400	19	1 1/2" G 3"	165	430	25				
		150# /150#	124			300# /150#	124			600# / 150#	124			900# / 300#	124						
	K 1195	1 1/2" H "3"	124	400	15	1 1/2" H "3"	124	400	16												
		150# /150#	130			300# /150#	130			2" H 3"	162	400	23	2" H 3"	162	400	26	2" H 3"	162	430	25
	L 1886	2" J 3"	124	400	20	2" J 3"	124	400	21												
150# /150#		137			300# /150#	137			2" H 3"	162	400	23	2" H 3"	162	400	26	2" H 3"	162	430	25	
M 2376	3" K 4"	162	570	24	3" K 4"	162	570	25													
	150# /150#	156			300# /150#	156			3" J 4"	181	570	28	3" J 4"	181	570	33	3" J 4"	181	570	33	
N 2827	3" L 4"	165	570	24	3" L 4"	165	570	25													
	150# /150#	156			300# /150#	156			3" J 4"	181	570	28	3" J 4"	181	570	33	3" J 4"	181	570	33	
O 4185	4" L 6"	181	610	90	4" L 6"	181	610	90													
	150# /150#	178			300# /150#	178			3" K 4"	181	570	35	3" K 6"	216	610	90	3" K 6"	216	610	105	
P 4185	4" M 6"	184	610	88	4" M 6"	184	610	90													
	150# /150#	178			300# /150#	178			3" K 4"	181	570	35	3" K 6"	216	610	90	3" K 6"	216	610	105	
Q 7238	4" N 6"	210	610	88	4" N 6"	210	610	90													
	150# /150#	197			300# /150#	197			3" K 4"	181	570	35	3" K 6"	216	610	90	3" K 6"	216	610	105	
R 10387	4" P 6"	229	610	88	4" P 6"	229	610	90													
	150# /150#	181			300# /150#	181			3" K 4"	181	570	35	3" K 6"	216	610	90	3" K 6"	216	610	105	
S 16742	6" Q 8"	241	659	156	6" Q 8"	241	659	160													
	150# /150#	240			300# /150#	240			4" L 6"	203	820	110	4" L 6"	222	820	120	4" L 6"	222	820	120	
T 16742	6" R 8"	241	659	156	6" R 8"	241	659	160													
	150# /150#	240			300# /150#	240			4" L 6"	203	820	110	4" L 6"	222	820	120	4" L 6"	222	820	120	
		8" T 10"	279	795	190	8" T 10"	279	795	195												
		150# /150#	276			300# /150#	276														