

## R3000

High pressure brass regulator,  
suitable for compressed air, gas and liquid



### FEATURES


High pressure regulator, standard version inlet pressure up to 220 bar (3190 psi), higher pressure for special versions.

Suitable for industrial applications that require high flow rates.

Inlet connection 1" – M and outlet connection 1 1/4" – F.  
Other connections available on request.

Outlet pressure up to 15 bar (218 psi) is controlled by a diaphragm; greater outlet pressures are controlled by a piston.  
The main valve is balanced.

Inlet and outlet pressure gauges.

Available the ATEX version  
Brand  II2GDclCX.  
For use in potentially explosive atmospheres zones:

1, 21, 2, 22 (not for mines and zone 0).

The product complies with the directive 97/23/CE (PED).

## **SPECIFICATIONS**

Inlet and outlet pressure gauges: accuracy class 1.6, G1/4 ports

Diaphragm regulator weight: ~18.8 kg (~41.44 lb)

Piston regulator weight: ~21.4 kg (~47.2 lb)

Standard version operating temperature -20 °C ÷ +60 °C (-4 °F ÷ +140 °F)

Main valve leakage classification: VI (bubble tight)

Flow coefficient:  $K_v = 3.5 \text{ Nm}^3/\text{h}$  ( $C_v = 4.10 \text{ US gal/min}$ )

Degree of protection: IP25

Big dimension upstream filter

## **MATERIALS**

Body and bonnet: brass

Internal parts: brass

Main valve spring: C85 (not in contact with the fluid)

Adjusting spring: C85 (not in contact with the fluid)

Diaphragm (for outlet pressure up to 15 bar): two coupled diaphragms neoprene + PTFE (PTFE in contact with the fluid)

Piston (for greater outlet pressure): brass

O-ring: EPDM or FPM according to the fluid (other compounds available on request)

Main valve gasket: PA 6.6

## **ACCESSORIES**

Dome loaded version: outlet pressure to be controlled by a pilot pressure

## **SPARE PARTS**

Gauges

Overpressure valve

Complete kit: filter cartridge, complete main valve, o-rings, assembled diaphragm

## available model types

### High pressure regulators

Pressure regulators for high pressure,  
made of brass, for compressed air and technical, non corrosive gases and liquids

Body machining round bar, inlet connection G 1-M

TYPE	Pin Bar	Pout Bar	Connection IN	Connection OUT	MEDIUM
					<b>R3000</b>
R3000 MA	80	0,8 – 8	G 1-M	G 1 1/4-F	CO2
R3000 MB	80	1,5 – 15	G 1-M	G 1 1/4-F	CO2
R3000 MC	80	3 – 30	G 1-M	G 1 1/4-F	CO2
R3000 HA	220	0,8 – 8	G 1-M	G 1 1/4-F	O2
					H2 – CH4
					Air – N2 – Ar – He
R3000 HB	220	1,5 – 15	G 1-M	G 1 1/4-F	O2
					H2 – CH4
					Air – N2 – Ar – He
R3000 HC	220	3 – 30	G 1-M	G 1 1/4-F	O2
					H2 – CH4
					Air – N2 – Ar – He
R3000 HD	220	5 – 50	G 1-M	G 1 1/4-F	O2
					H2 – CH4
					Air – N2 – Ar – He

#### CONNECTION DIFFERENT FROM STANDARD

Connections different from standard (external nipples in 1" NPT-M – out 1 1/4" NPT-F)

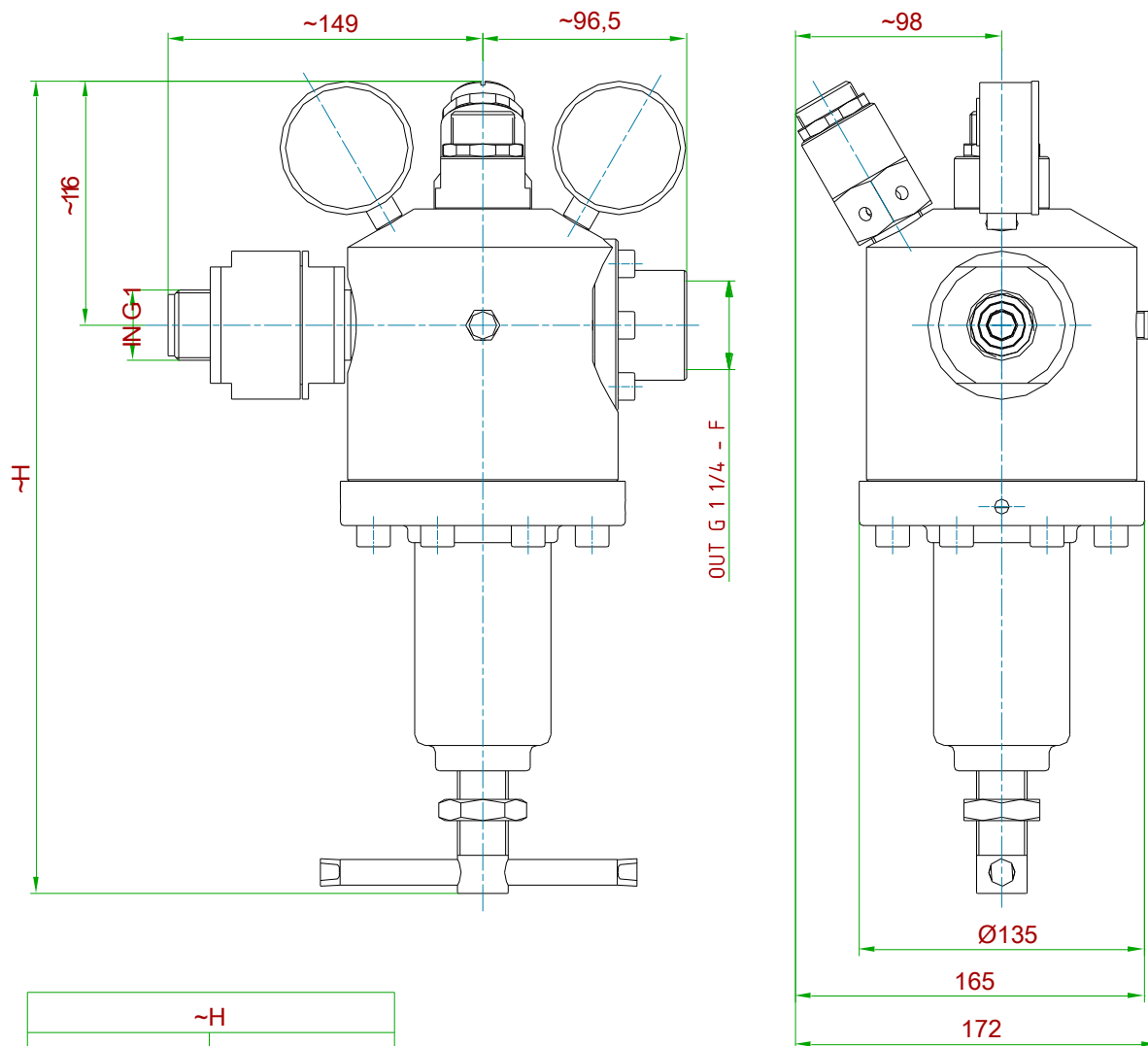
#### EXECUTIONS DIFFERENT FROM STANDARD

Inlet pressure 250 bar  
 Inlet pressure 300 bar  
 Pre-set outlet pressure  
 Fixed outlet pressure, screw with cap nut  
 O-ring in accordance to FDA  
 O-ring in FPM  
 Special O-ring  
 Venting on bonnet and over pressure valve  
 Execution for liquid  
 Dome loaded version  
 Chrome-Nickel plating  
 Not standard branding  
 ATEX version  
 Special temperature range  
 Degreased for O2

#### ACCESSORIES

Bracket with screws (mod. HA, HB, HC, HD) M1B304

# technical drawings (all dimensions in mm)



~H	
TYPE	BRASS
Diaphragm	385
Piston	426