

HELYON

5 Chemin du Jubin 69570 DARDILLY
Tél. +33 (0)4 72 52 16 70 - Fax +33 (0)4 72 52 16 71
www.helyon.com / E-mail : contact@helyon.com

VSF160

Aluminium high precision relief valves ,
suitable for compressed air and gas



FEATURES

High precision relief valve for pressure up to 700 mbar (10,15 psi).

Inlet and outlet connections 1/2" – F.

The relief valve opens when the inlet pressure increases above the set point initially regulated by the adjusting screw and it closes when the pressure goes down under the set point.

Set point pressure is controlled by a rubber diaphragm.

The product complies with the directive 97/23/CE PED.

SPECIFICATIONS

Relief valve weight: ~1.3 kg / ~2,87 lb

Working temperature: -20 °C ÷ +60 °C (-4 °F ÷ +140 °F) for standard version

Degree of protection: IP25

MATERIALS

Body: aluminium

Bonnet: stainless steel AISI 316L

Internal parts: brass

Adjusting spring: C85 (not in contact with the fluid)

O-Ring: NBR (other compounds available on request)

Diaphragm: NBR + PTFE (PTFE in contact with the fluid)

Main valve gasket: NBR (other compounds available on request)

ACCESSORIES

Wall mounting bracket: M11203

SPARE PARTS

Complete kit: main valve, diaphragm and o-rings

available model types

High sensibility relief valves

Relief valves for low pressure made of aluminium suitable for compressed air and non corrosive gases (except O2)

Bonnet and body of aluminium. Standard structure

TYPE	P in mBar	Connection IN	Connection OUT	MEDIUM
				VSF160
VSF160 A	5 – 45	G 1/2-F	G 1/2-F	*
				**
VSF160 B	20 – 200	G 1/2-F	G 1/2-F	*
				**
VSF160 C	150 – 700	G 1/2-F	G 1/2-F	*
				**

* Air – N2 – He – Ar – H2– C3H8 – CH4

** CO2 – N2O

CONNECTION DIFFERENT FROM STANDARD

Inlet / outlet connections NPT

EXECUTIONS DIFFERENT FROM STANDARD

O-ring in accordance to FDA

O-ring different from standard – FPM

O-ring different from standard - EPDM

Not standard branding

Temperature different from standard

Degreased for O2

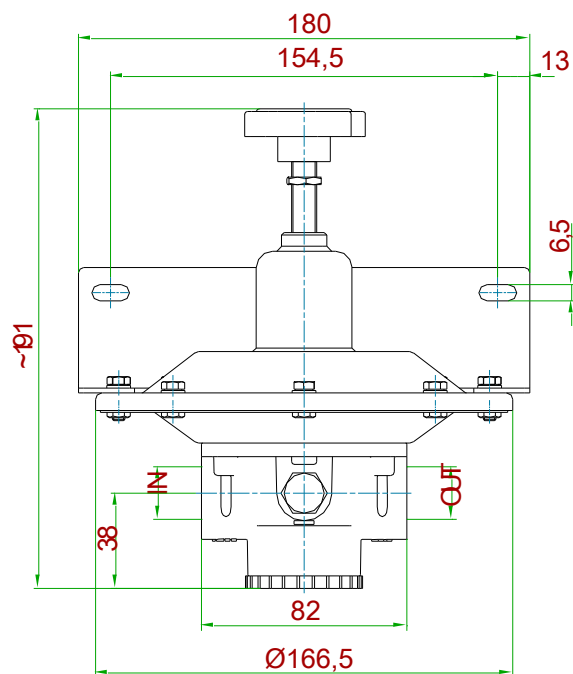
ACCESSORIES

Bracket M11203

technical drawings (all dimensions in mm)

Bracket to be ordered separately, kit order number: M11203

TYPE	IN/OUT
VSF160 1/2"GF	G1/2-F
VSF160 1/2"NPTF	1/2"NPT-F



Bracket P36067

